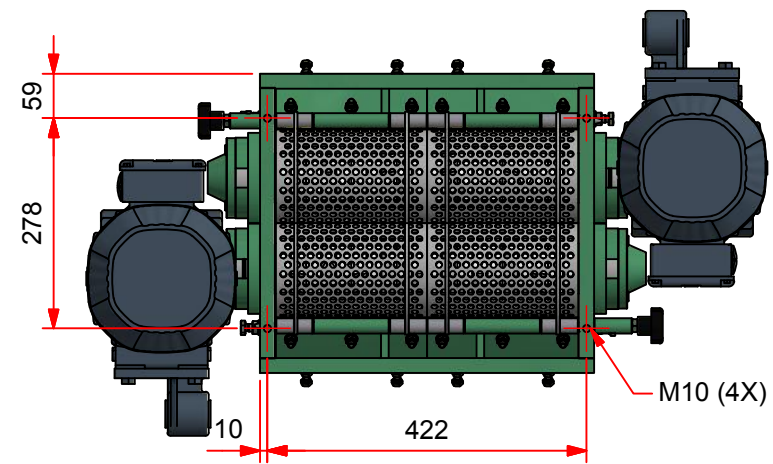
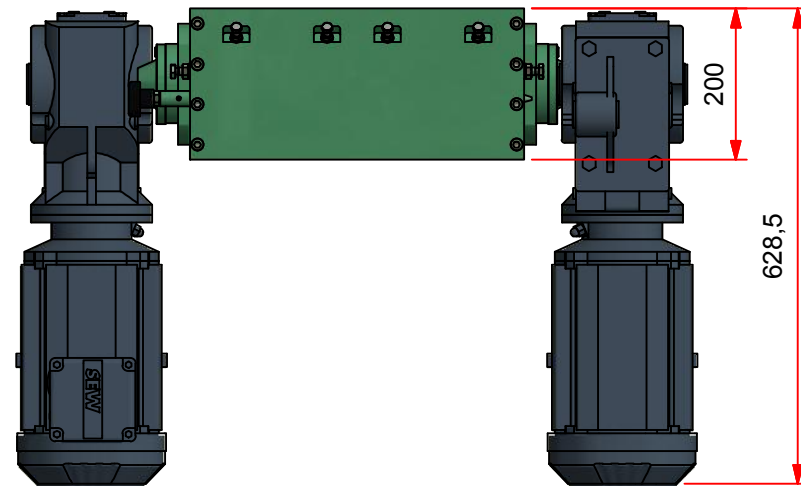
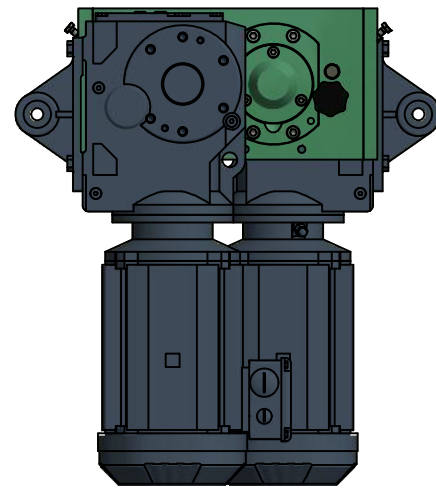
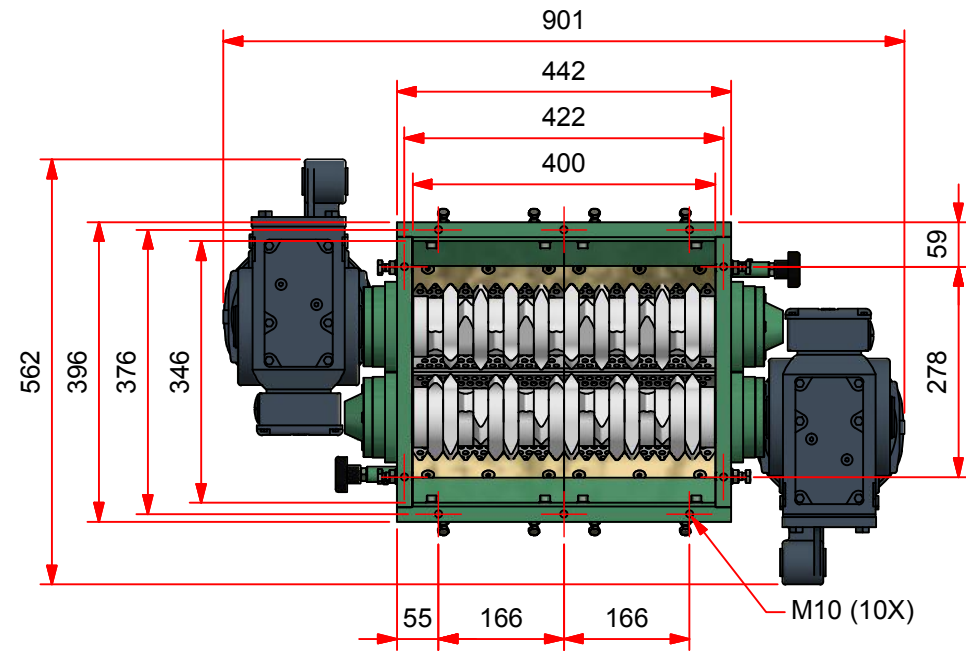


REV	DATE	DESIGNER	DESCRIPTION	ENG APPR.	MFG APPR.
A	23-3-2016	NME	First release	MST	



When no tolerances stated use:	
> 0.5 - 3	± 0,1
> 3 - 6	± 0,1
> 6 - 30	± 0,2
> 30 - 120	± 0,3
> 120 - 400	± 0,5
> 400 - 1000	± 0,8
> 1000 - 2000	± 1,2
> 2000 - 4000	± 2,0
> 4000 - 12000	± 4,0
> 12000 - 20000	± 6,0

Title: Shredder STS24-3		Customer name:	
Subtitle: Dimension drawing		Customer ref.no.:	
Mass: 229,74 kg	Drawn by: n.meersma	Date: 23-3-2016	
Geometric tol. ISO 1101	Scale: 1:10		Status: DEF.
Roughness tol. ISO 1302	Project number		Size: A3
General tol. ISO 2768-1 ISO 2768-2	Part number: 2020.16.1115	Rev.: A	