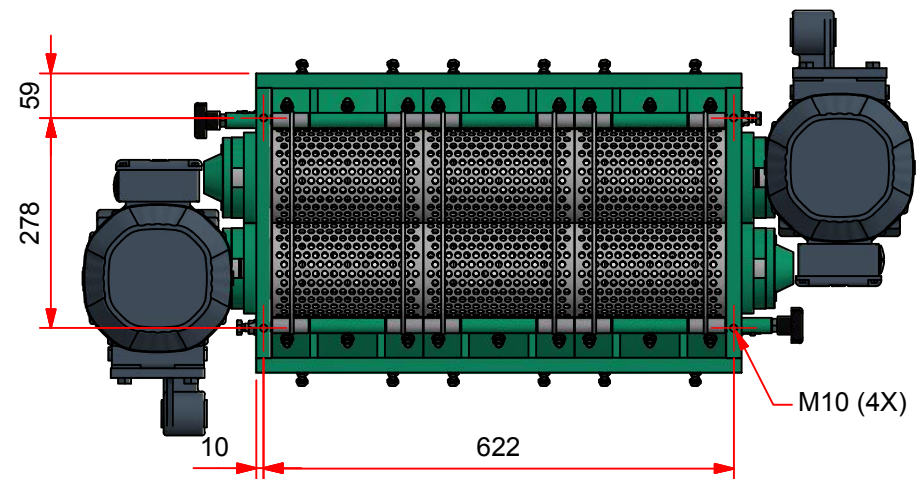
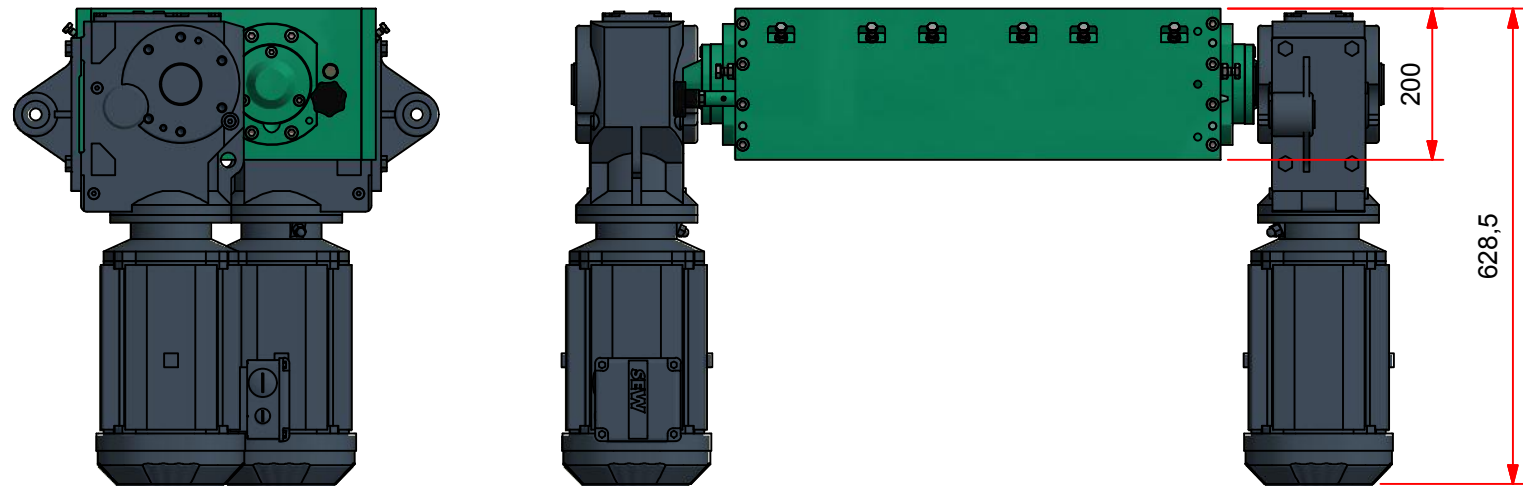
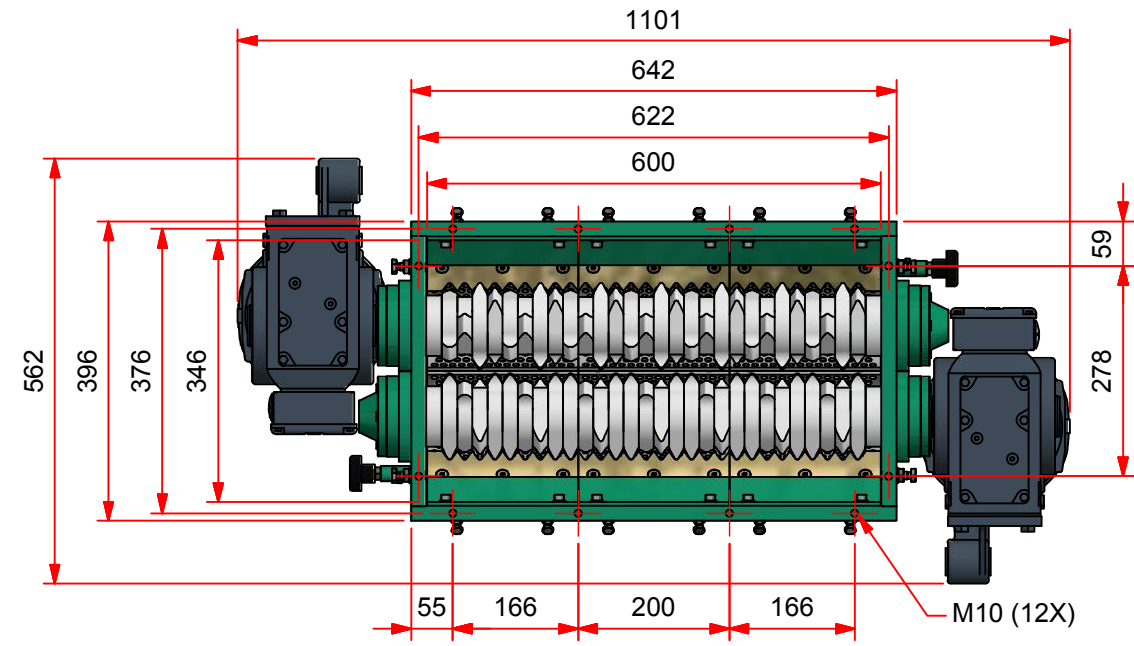
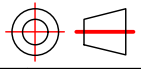


REV	DATE	DESIGNER	DESCRIPTION	ENG APPR.	MFG APPR.
A	15-3-2016	N. Meersma	First release	MST	



When no tolerances stated use:		
> 0.5 - 3	± 0,1	
> 3 - 6	± 0,1	
> 6 - 30	± 0,2	
> 30 - 120	± 0,3	
> 120 - 400	± 0,5	
> 400 - 1000	± 0,8	
> 1000 - 2000	± 1,2	
> 2000 - 4000	± 2,0	
> 4000 - 12000	± 4,0	
> 12000 - 20000	± 6,0	

Title: <b>Shredder STS26-3</b>		Customer name:		
Subtitle: <b>Dimension drawing</b>		Customer ref.no.:		
Mass: 266,40 kg	Drawn by: N. Meersma	Date: 15-3-2016		
Geometric tol. ISO 1101	Scale: <b>1:10</b>		Status: <b>DEF.</b>	Size: <b>A3</b>
Roughness tol. ISO 1302	Project number		Part number: <b>2020.16.1116</b>	Rev.: <b>A</b>
General tol. ISO 2768-1 ISO 2768-2				