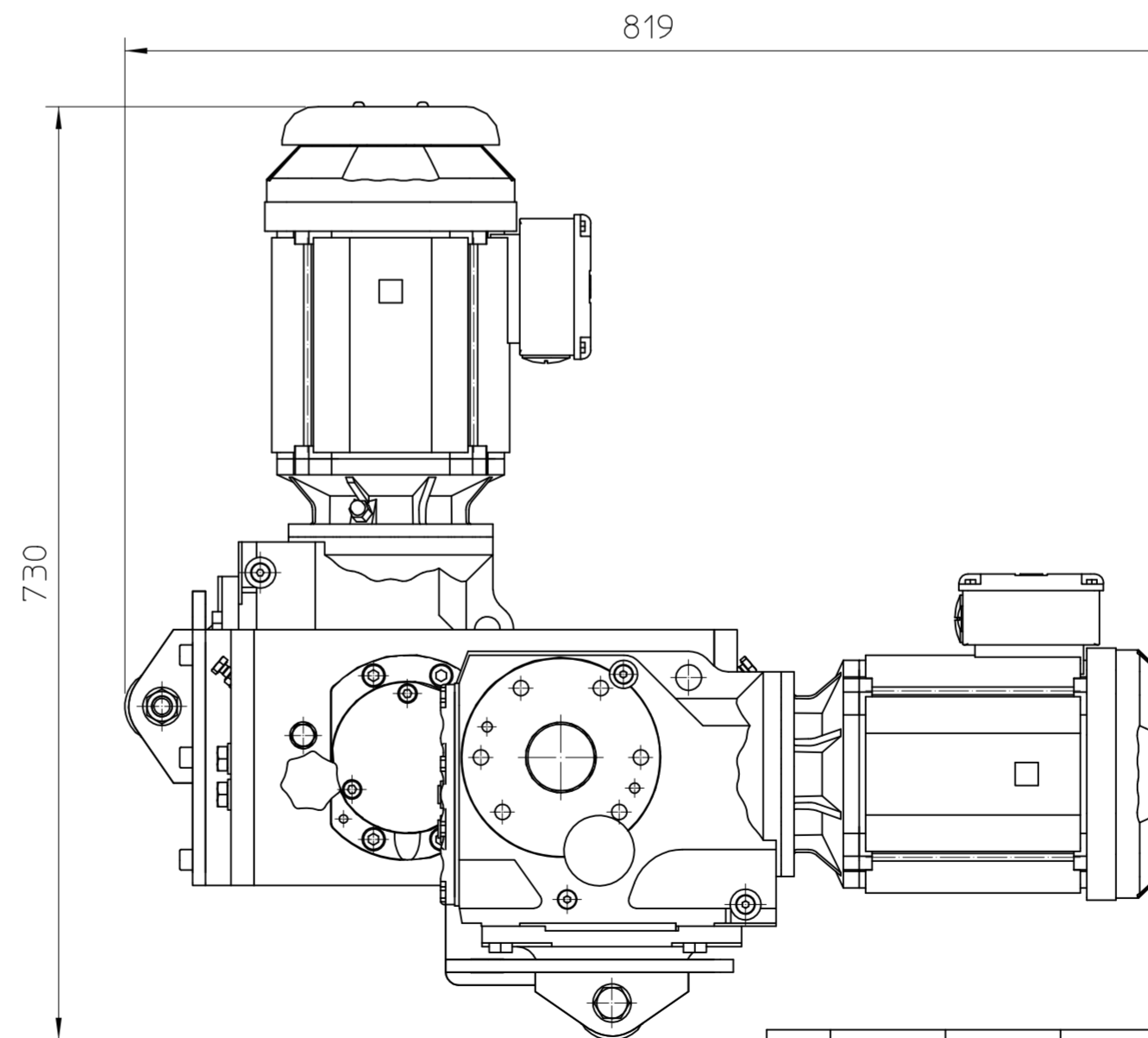


Shredder STS-B24.02_US

- Number of axles : 2 pieces
- Number of knives : 36 pieces
- Transmission : 2 x 2,2kW
75 rpm
400/690V 4,75/2,75A 50Hz
- Screens : holes $\varnothing 10$, $\varnothing 12$, $\varnothing 14$ and $\varnothing 16$ mm (to be determined)
- Weight : 236kg
- Color : Frame RAL 7035, motor RAL 5005 (other on request)



When no tol. stated use :			
0,5-	3-	6	+0,1
>	6-	30	+0,1
>	30-	120	+0,2
>	120-	400	+0,3
>	400-	1000	+0,5
>	1000-	2000	+0,8
>	2000-	4000	+1,2
>	4000-	12000	+2,0
>	12000-	20000	+4,0
>	>12000-	>20000	+6,0

REV	DATE	DESIGNER	DESCRIPTION	ENG.APR.	MFG.APR.		
Project: -				Customer name: -			
Title: Shredder STS-B24.02_US				Customer ref.no: -			
Subtitle: Dimension Drawing				Drawn by: WDV	Date: 12-06-2019		
				Status: DEF	Mass: N/A		
		STAMACH De Boeg 11 9206 BB Drachten Tel: 0031 (0)512-82 00 26 I: www.stamach.nl		Geometric tol. ISO 1101 Roughness tol. ISO 1302 General tol. ISO 2768-1 ISO 2768-2	Sheet 2 of 2	Scale 1 : 5	Size A2
Project number -				Part number STS-B24.02_US	Rev. 0		