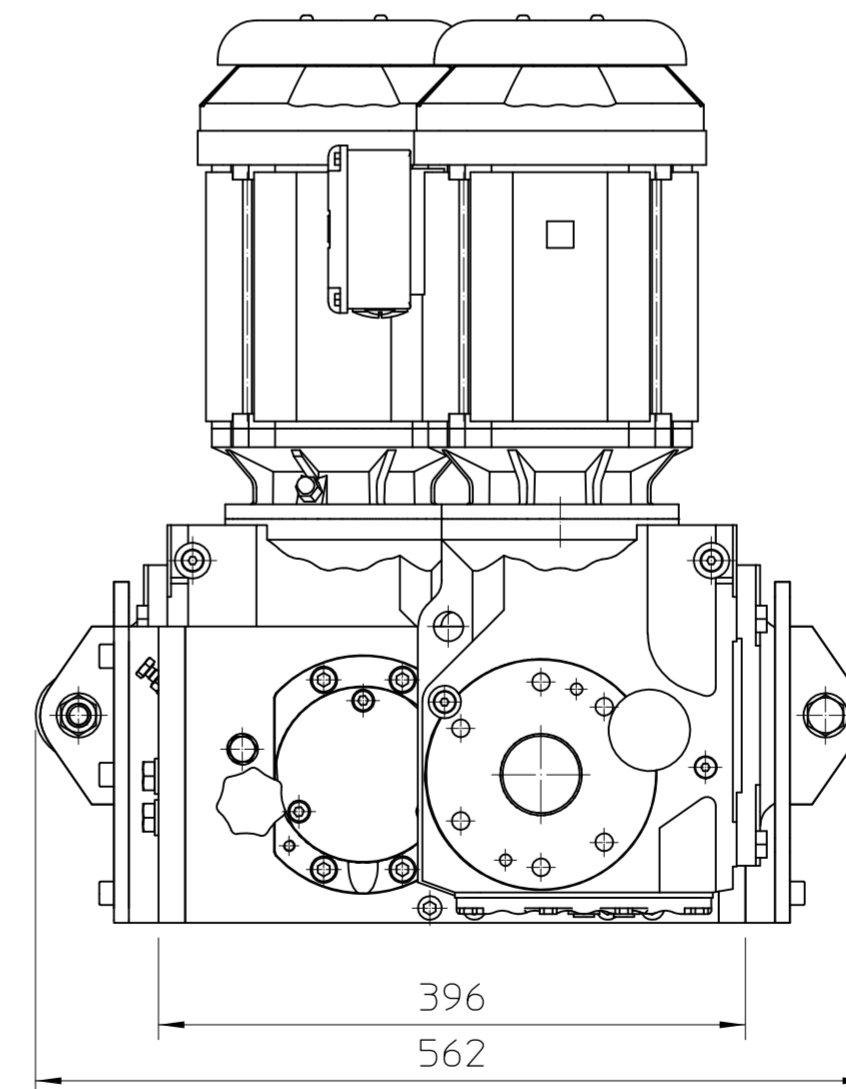
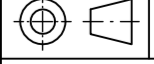


Shredder STS-B24.02\_U

- Number of axes : 2 pieces
- Number of knives : 36 pieces
- Transmission : 2 x 2,2kW  
75 rpm  
400/690V 4,75/2,75A 50Hz
- Screens : holes  $\phi 10$ ,  $\phi 12$ ,  $\phi 14$  and  $\phi 16$ mm (to be determined)
- Weight : 236kg
- Color : Frame RAL 7035, motor RAL 5005 (other on request)



When no tol. stated use :		
0.5-	3	+0.1
>	3- 6	+0.1
>	6- 30	+0.2
>	30- 120	+0.3
>	120- 400	+0.5
>	400- 1000	+0.8
>	1000- 2000	+1.2
>	2000- 4000	+2.0
>	4000-12000	+4.0
>	12000-20000	+6.0

REV	DATE	DESIGNER	DESCRIPTION	ENG.APR.	MFG.APR.			
Project: -			Customer name: -					
Title: Shredder STS-B24.02_U			Customer ref.no: -					
Subtitle: Dimension Drawing			Drawn by: WDV	Date: 12-06-2019				
			Status: DEF	Mass: N/A				
<b>stamach</b> <small>presses and machinery</small>			<small>STAMACH</small> <small>De Boeg 11</small> <small>9206 BB Drachten</small> <small>Tel: 0031 (0)512-82 00 26</small> <small>l: www.stamagr.nl</small>	<small>Geometric tol. ISO 1101</small> <small>Roughness tol. ISO 1302</small> <small>General tol. ISO 2768-1</small> <small>ISO 2768-2</small>		<small>Sheet</small> 2 of 2	<small>Scale</small> 1 : 5	<small>Size</small> A2
			<small>Project number</small> -	<small>Part number</small> STS-B24.02_U	<small>Rev.</small> 0			