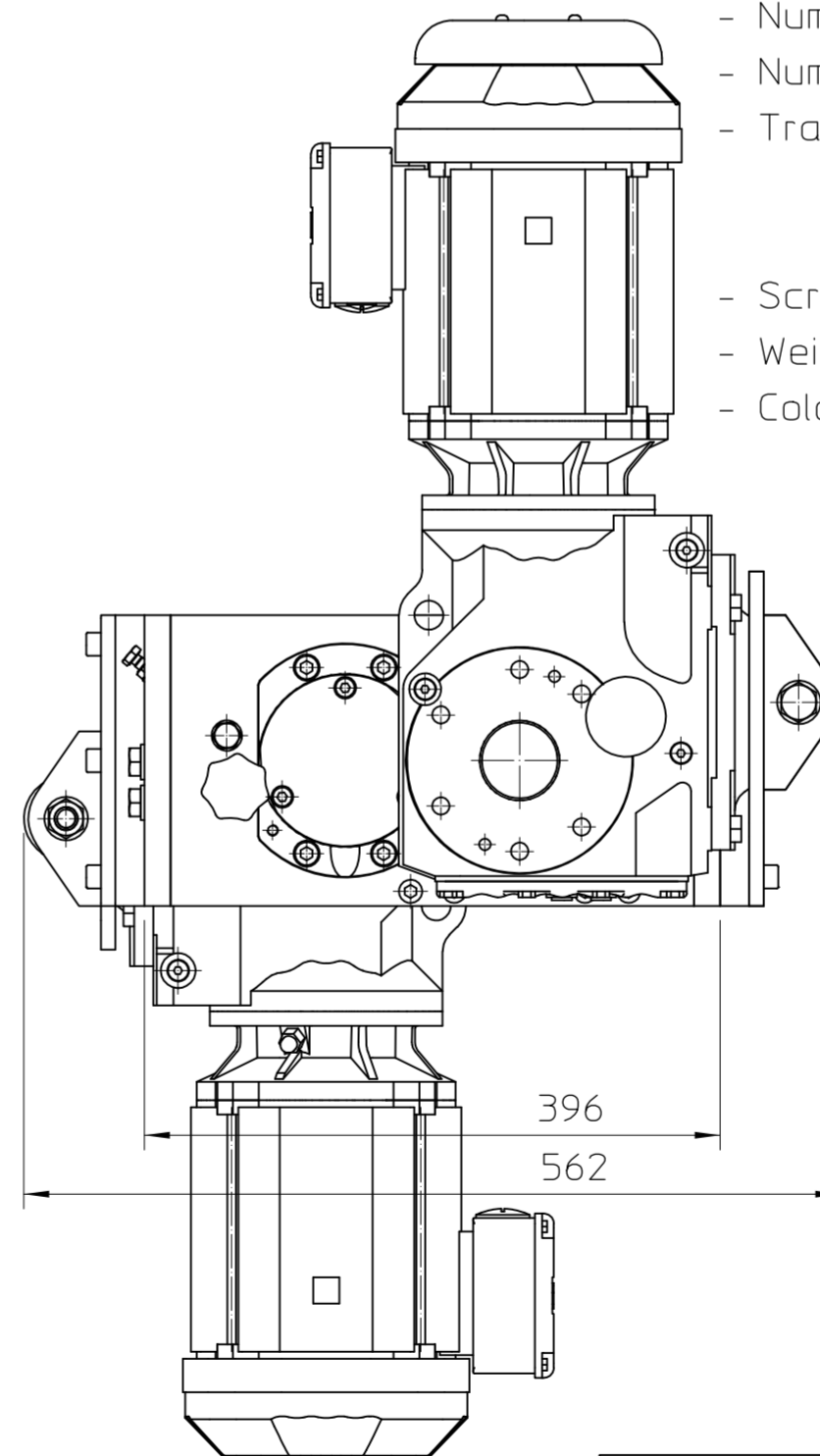
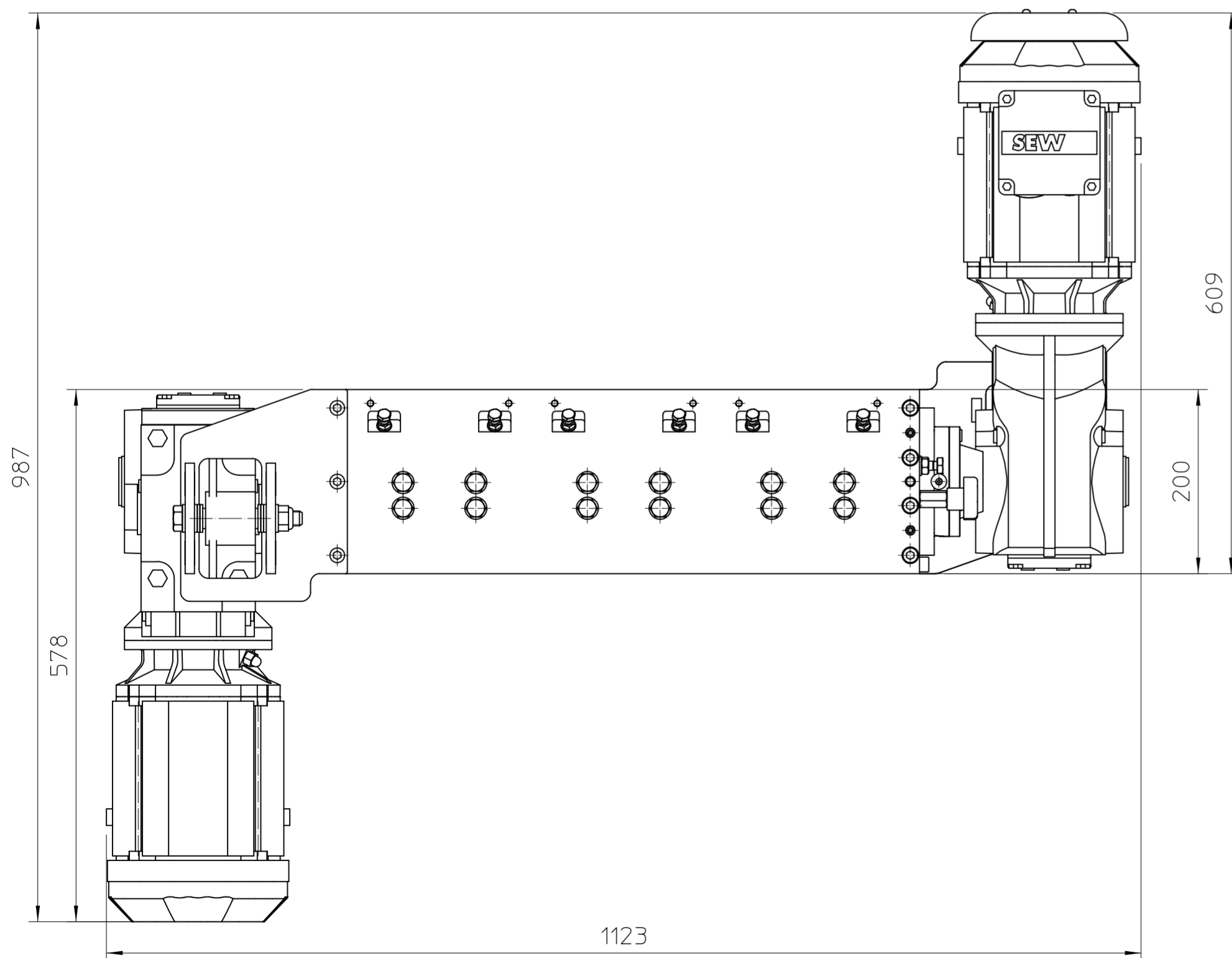


Shredder STS-B26.02\_DU

- Number of axles : 2 pieces
- Number of knives : 56 pieces
- Transmission : 2 x 2,2kW  
75 rpm  
400/690V 4,75/2,75A 50Hz
- Screens : holes  $\varnothing 10$ ,  $\varnothing 12$ ,  $\varnothing 14$  and  $\varnothing 16$ mm (to be determined)
- Weight : 275kg
- Color : Frame RAL 7035, motor RAL 5005 (other on request)



When no tol. stated use :

0.5-	3	6	+0.1
>	3-	6	+0.1
>	6-	30	+0.2
>	30-	120	+0.3
>	120-	400	+0.5
>	400-	1000	+0.8
>	1000-	2000	+1.2
>	2000-	4000	+2.0
>	4000-	12000	+4.0
>	12000-	20000	+6.0

REV	DATE	DESIGNER	DESCRIPTION	ENG.APR.	MFG.APR.	
Project: -			Customer name: -			
Title: Shredder STS-B26.02_DU			Customer ref.no: -			
Subtitle: Dimension Drawing			Drawn by: WDV	Date: 12-06-2019		
			Status: DEF	Mass: N/A		
<b>stamach</b> presses and machinery STAMACH De Boeg 11 9206 BB Drachten Tel: 0031 (0)512-82 00 26 I: www.stamach.nl			Geometric tol. ISO 1101 Roughness tol. ISO 1302 General tol. ISO 2768-1 ISO 2768-2	Sheet	Scale	Size
				2 of 2	1 : 5	A2
			Project number	Part number	Rev.	
			-	STS-B26.02_DU	0	