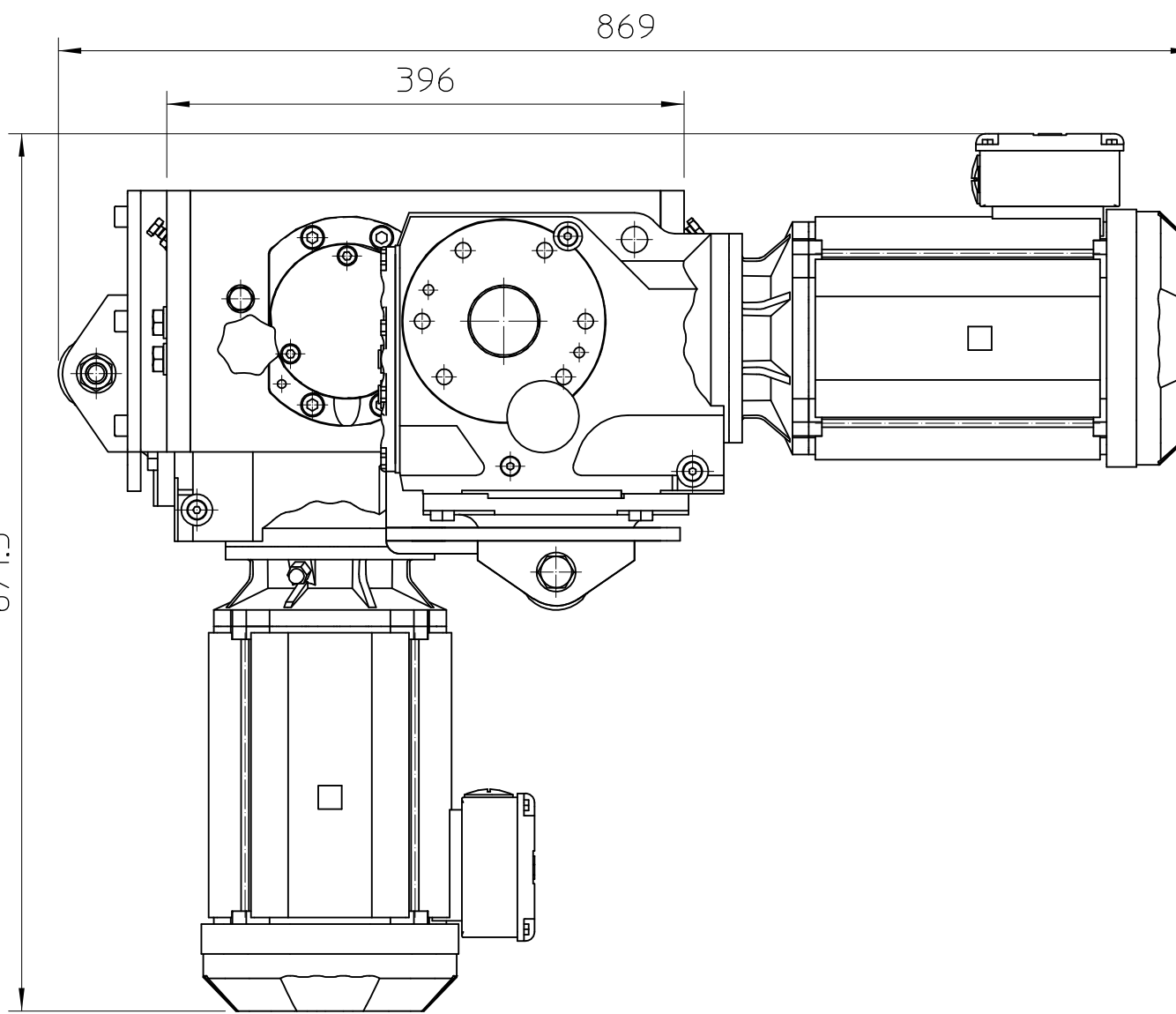


Shredder STS-B26.03-DS

- Number of axles : 2 pieces
- Number of knives : 56 pieces
- Transmission : 2 x 3kW
75 rpm
400/690V 6,4/3,75A 50Hz
- Screens : holes $\varnothing 10$, $\varnothing 12$, $\varnothing 14$ and $\varnothing 16$ mm (to be determined)
- Weight : 289kg
- Color : Frame RAL 7035, motor RAL 5005 (other on request)



When no tol. stated use :			
0.5-	3-	6	+0.1
>	6-	30	+0.1
>	30-	120	+0.2
>	120-	400	+0.3
>	400-	1000	+0.8
>	1000-	2000	+1.2
>	2000-	4000	+2.0
>	4000-	12000	+4.0
>	12000-	20000	+6.0

REV	DATE	DESIGNER	DESCRIPTION	ENG.APR.	MFG.APR.
-	-	-	-	-	-
Project: -			Customer name: -		
Title: Shredder STS-B26.03_DS			Customer ref.no: -		
Subtitle: Dimension Drawing			Date: 12-06-2019		
Status: DEF			Mass: N/A		
		STAMACH De Boeg 11 9206 BB Drachten Tel: 0031 (0)512-82 00 26 I: www.stamach.nl		Geometric tol. ISO 1101 Roughness tol. ISO 1302 General tol. ISO 2768-1 ISO 2768-2	
		Sheet 2 of 2 Scale 1:5 Size A2		Project number - Part number STS-B26.03_DS Rev. 0	