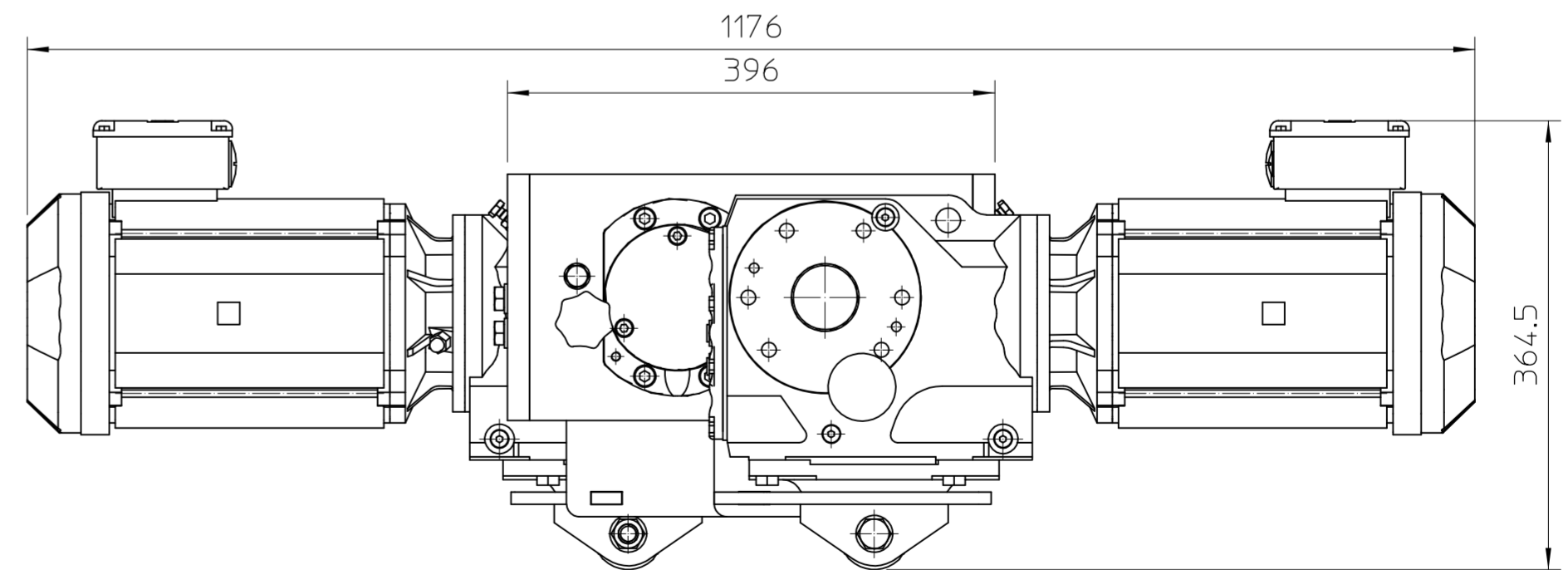


Shredder STS-B26.03-S

- Number of axles : 2 pieces
- Number of knives : 56 pieces
- Transmission : 2 x 3kW  
75 rpm  
400/690V 6,4/3,75A 50Hz
- Screens : holes  $\varnothing 10$ ,  $\varnothing 12$ ,  $\varnothing 14$  and  $\varnothing 16$ mm (to be determined)
- Weight : 289kg
- Color : Frame RAL 7035, motor RAL 5005 (other on request)



REV	DATE	DESIGNER	DESCRIPTION	ENG.APR.	MFG.APR.
Project:			Customer name: -		
Title:			Customer ref.no: -		
Subtitle:			Drawn by: WDV		
			Date: 12-06-2019		
			Status: DEF		
			Mass: N/A		
			Sheet		
			2 of 2		
			Scale		
			1 : 5		
			Size		
			A2		
			Project number		
			-		
			Part number		
			STS-B26.03_S		
			Rev.		
			0		

When no tol. stated use :			
0.5-	3-	6	+0.1
>	6-	30	+0.1
>	30-	120	+0.2
>	120-	400	+0.3
>	400-	1000	+0.5
>	1000-	2000	+0.8
>	2000-	4000	+1.2
>	4000-	12000	+2.0
>	12000-	20000	+4.0
>	>12000-	>20000	+6.0

**stamach**  
presses and machinery

STAMACH  
De Boeg 11  
9206 BB Drachten  
Tel: 0031 (0)512-82 00 26  
t: www.stamach.nl

Geometric tol. ISO 1101  
Roughness tol. ISO 1302  
General tol. ISO 2768-1  
ISO 2768-2