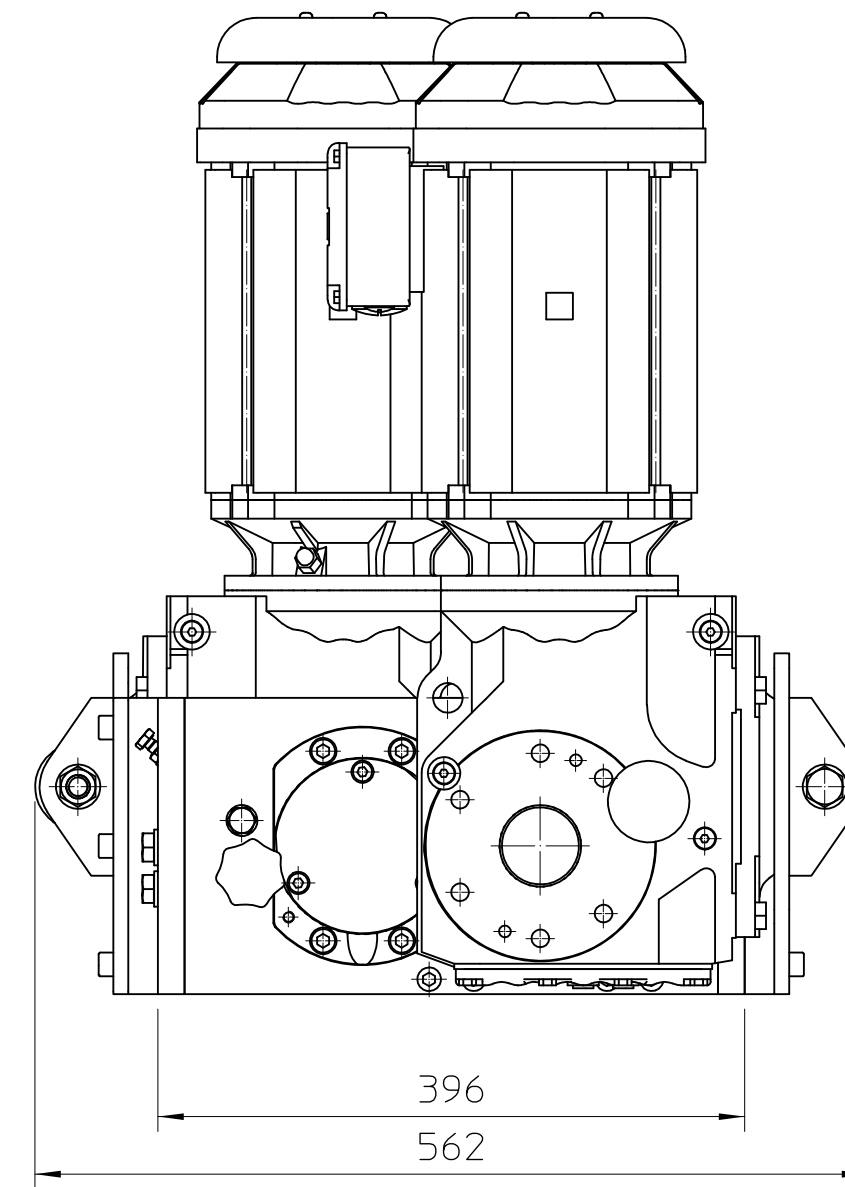
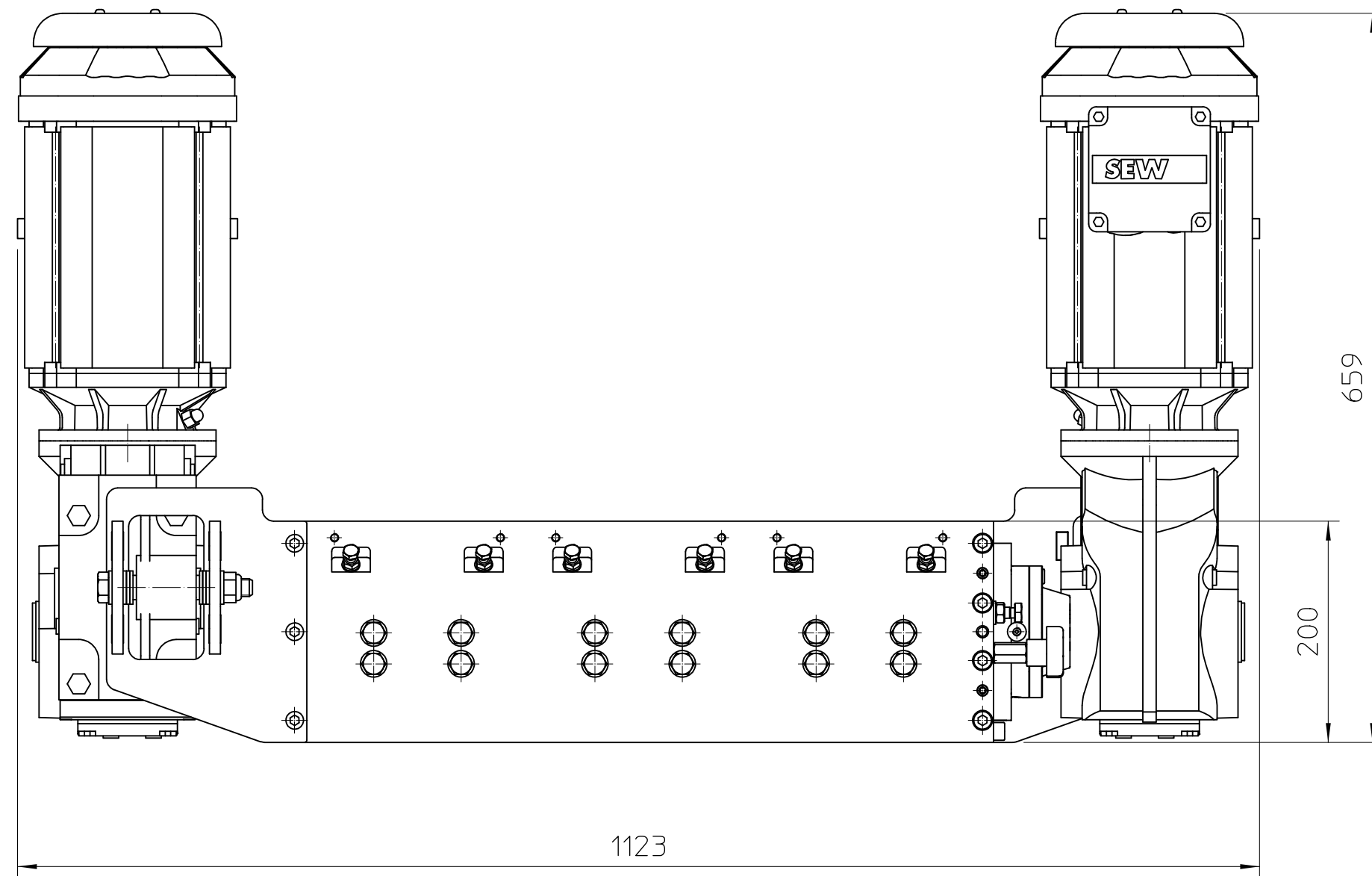


Shredder STS-B26.03\_U

- Number of axes : 2 pieces
- Number of knives : 56 pieces
- Transmission : 2 x 3kW  
75 rpm  
400/690V 6,4/3,75A 50Hz
- Screens : holes  $\varnothing 10$ ,  $\varnothing 12$ ,  $\varnothing 14$  and  $\varnothing 16$ mm (to be determined)
- Weight : 289kg
- Color : Frame RAL 7035, motor RAL 5005 (other on request)



When no tol. stated use :		
0.5-	3	+0.1
>	3- 6	+0.1
>	6- 30	+0.2
>	30- 120	+0.3
>	120- 400	+0.5
>	400- 1000	+0.8
>	1000- 2000	+1.2
>	2000- 4000	+2.0
>	4000-12000	+4.0
>	>12000-20000	+6.0

REV	DATE	DESIGNER	DESCRIPTION	ENG.APR.	MFG.APR.
Project: -			Customer name: -		
Title: Shredder STS-B26.03_U			Customer ref.no: -		
Subtitle: Dimension Drawing			Drawn by: WDV	Date: 12-06-2019	
			Status: DEF	Mass: N/A	
<b>stamach</b> <small>presses and machinery</small>			<small>Geometric tol. ISO 1101</small> <small>Roughness tol. ISO 1302</small> <small>General tol. ISO 2768-1</small> <small>ISO 2768-2</small>		Sheet <b>2 of 2</b>
			<small>Scale</small> <b>1 : 5</b>	<small>Size</small> <b>A2</b>	
			<small>Project number</small> -	<small>Part number</small> <b>STS-B26.03_U</b>	<small>Rev.</small> <b>0</b>